

UBeFlex® storage system



The UBeFlex® modular storage system was developed with very quick assembly, functionality, durability and stability in mind. The result is a unique storage system made from anodized aluminum and other high-quality, anti-static synthetic materials, which means it can be used in both sterile storage and non-sterile environments.

Thanks to the modular construction in DIN D-type, ISO D-type or ISO W-type columns, which may or may not be combined with shelves, it can be used in various departments of the healthcare institution, from CSA through pharmacy to kitchen and cold storage. Because of the unique design, it is an ergonomic and hygienic storage solution and can also be used as a “pass-through” rack.

With its revolutionary design, the new UBeFlex® storage system is very quickly assembled and is extremely flexible for optimum use of the available space.



» Easy mounting and cleaning

The columns, connection and connection sets, runners and shelves can be assembled quickly and easily without extra tools.

The UBeFlex® storage system can easily be cleaned and disinfected.



» Very modular with columns and shelving

UBeFlex® gives extensive possibilities for modular set-ups. With columns “Deep” or “Wide” 23 5/8 x 15 3/4 inch or DIN 23 5/8 x 11 13/16 inch in combination with shelves varying between 11 13/16 and 70 55/64 inch (11 13/16, 23 5/8, 35 7/16, 47 1/4, 59 1/16 or 70 55/64 inch) you can make optimum use of the available space.

For the shelving in D-type you can choose between full shelves in synthetic materials or open shelves in chromed steel. The open shelves can be fitted with dividers.



» Extremely strong

In column set-up, UBeFlex® has a load capacity of 55 lbs per pair of runners and in shelf set-up max. 33 lbs per shelf element. For details, see technical data sheet.



» Pass-through set-up

Because of the unique design, in which no reinforcement is required on the back, the UBeFlex® can also be used in a “pass-through” set-up and is thus accessible from both sides.

In case you want a back protection on the shelving, you can use additional shelving profiles to use as a closing profile to avoid packages sliding through.



» Stationary and movable versions

The UBeFlex® columns are available in a stationary version with 26 usable runner positions per column and a movable version with 24 usable runner positions per column. Unused positions can be covered with plastic caps.

The stationary version has height-adjustable feet to compensate for imperfections of the floor. The movable version is fitted with small wheels (Ø 1^{31/32} inch), so that it can be moved for floor cleaning.



» Optimum labeling

The shelves can be fitted with newly designed “click” label holders. These simply click onto any position on the front of the shelf and can be fitted with an insert. Because these label holders do not protrude above the edge of the shelf, you can take larger packets or containers from the shelves without a hitch.

There are specific label holders for the columns that can also simply be clicked onto the profiles. All versions can be found further back.



» Identification

As an option you can fit the UBeFlex® with coloured PVC strips (packs of 10) to replace the standard grey profiles to personalize your storage per department or, for example, to use colour coding for location allocation per discipline in the storage within your CSSD.

» New “Click” runners

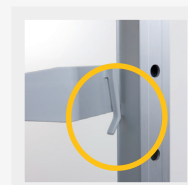
Unique design of the plastic runners for easy assembly and quick movement if necessary. The runners come in packs of 10 pairs.



1. Position the runners in the required spot. Make sure that both pins have been inserted properly.



2. Push the runner against the upright and click the lip securely into place.



3. Make sure that the lip clicks properly over the edge of the upright.

» A set-up example

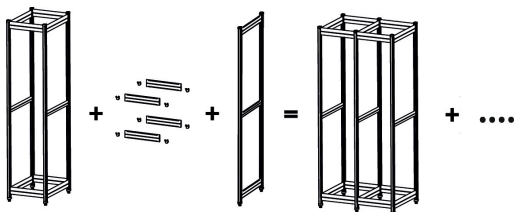
A UBeFlex® modular storage system module consists of 2 posts and a connection set. A connection set comprises of 4 connecting elements that interconnect the posts. To expand on this configuration you will need an extra post and connection set. Option wise, the sky is the limit.



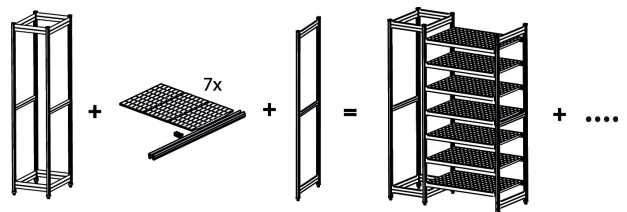
» Combining columns of equal depth

Columns of equal depth can be combined ad infinitum. You can also interconnect columns of different widths. For the exact measurements, please refer to the next page.

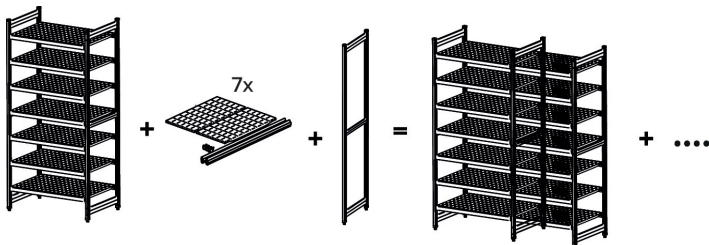
» Example of a setup with runners



» Example of a setup with runners and shelves



» Example of a setup with shelves



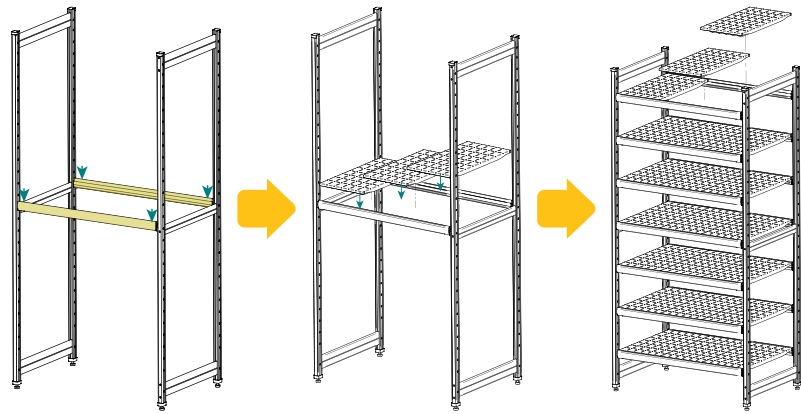
In certain configurations, **spacer lockers** and **back reinforcement** are required. Be sure to ask your seller about this.

- The spacer lockers are included with the mobile posts, for the stationary posts these should be ordered separately if required.
- Back reinforcement is always required for configurations smaller than 3 columns and for some "heavy duty" applications.

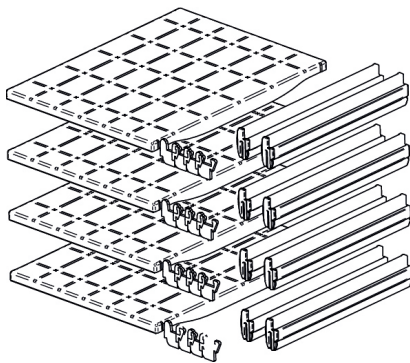
» UBeFlex® Shelf Sets

Every shelf of the UBeFlex® storage system consists of 2 profiles on which the boards are positioned. The entity forms the shelf on which goods can be placed.

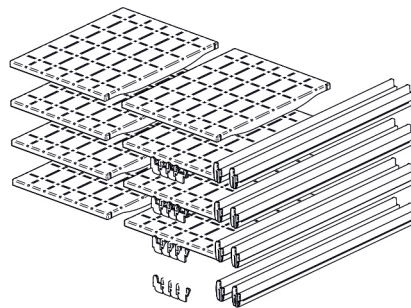
Depending on the width of the shelf multiple boards and profiles of different lengths are required.



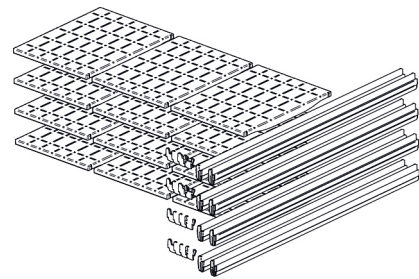
» W-type shelf sets (15 3/4 inch depth)



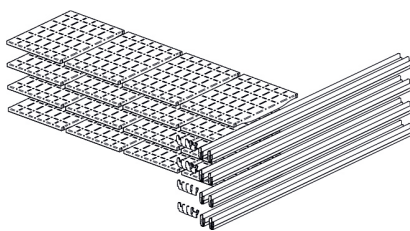
» Set 11 ¹³ / ₁₆ x 15 ³ / ₄ (WxD)	
Article number	16010 00049
Boards per set	1
Sets per box	4



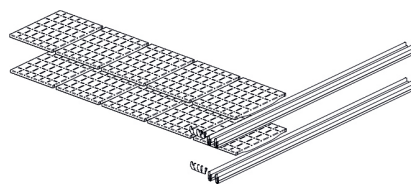
» Set 23 ⁵ / ₈ x 15 ³ / ₄ (WxD)	
Article number	16010 00050
Boards per set	2
Sets per box	4



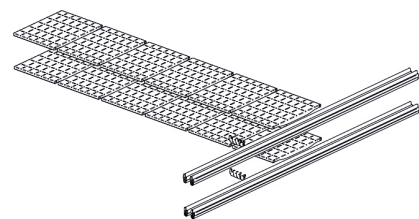
» Set 35 ⁷ / ₁₆ x 15 ³ / ₄ (WxD)	
Article number	16010 00051
Boards per set	3
Sets per box	4



» Set 47 ¹ / ₄ x 15 ³ / ₄ (WxD)	
Article number	16010 00052
Boards per set	4
Sets per box	4



» Set 59 ¹ / ₁₆ x 15 ³ / ₄ (WxD)	
Article number	16010 00053
Boards per set	5
Sets per box	2



» Set 70 ⁵⁵ / ₆₄ * x 15 ³ / ₄ (WxD)	
Article number	16010 00054
Boards per set	6
Sets per box	2

We are currently in a transition phase in which these assembled sets will eventually be replaced by loose shelves in combination with a set of profiles of the desired length. You will always find the final composition on the order confirmation.

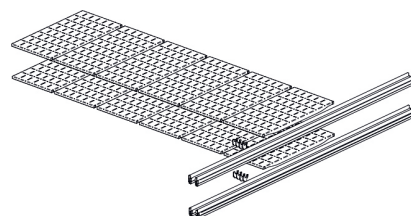
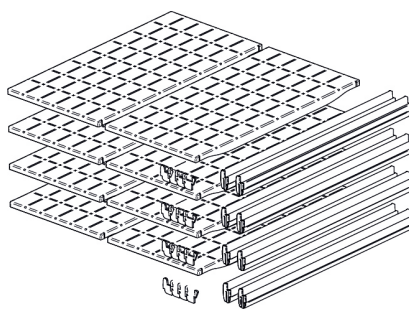
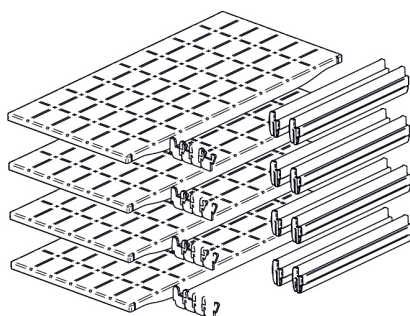
* The 70 ⁵⁵/₆₄ inch shelves cannot be used in the mobile version.



» Closing profiles

The profiles of the shelving can also be used as closing profiles at the back. Used as such the back side is blocked and packs can't fall off the shelving.

» D-type shelf sets (23 5/8 inch depth)



» Set 11 13/16 x 23 5/8 (WxD)

Article number 16010 00043

Boards per set 1

Sets per box 4

» Set 23 5/8 x 23 5/8 (WxD)

Article number 16010 00044

Boards per set 2

Sets per box 4

» Set 70 55/64* x 23 5/8 (WxD)

Article number 16010 00048

Boards per set 6

Sets per box 2

We are currently in a transition phase in which these assembled sets will eventually be replaced by loose shelves in combination with a set of profiles of the desired length. You will always find the final composition on the order confirmation.

* The 70 55/64 inch shelves cannot be used in the mobile version.

» Calculating the installation

By using the measures below you can calculate what the total width of your installation will be. You start with a **“Column”** which you then complete with one or more units **“Extension”**. ISO D-type and ISO DIN-type columns can be combined. Mixed installations with runners and shelves are also possible, as long as they have the same depth (D-type or W-type).

» Setup with runners

Type	Stationary	Movable (max. 5 columns coupled)
ISO D-type - Column	18 ^{31/32} inch	19 ^{17/32} inch
ISO D-type - Extension	17 ^{41/64} inch	17 ^{29/32} inch
DIN D-type - Column	15 ^{3/64} inch	15 ^{19/32} inch
DIN D-type - Extension	13 ^{45/64} inch	13 ^{31/32} inch
ISO W-type - Column	26 ^{27/32} inch	27 ^{13/32} inch
ISO W-type - Extension	25 ^{33/64} inch	25 ^{25/32} inch

» Setup with shelves

Type	Stationary	Movable (max. 5 columns coupled)
Shelving 11 ^{13/16} inch - Column	14 ^{3/8} inch	14 ^{59/64} inch
Shelving 11 ^{13/16} inch - Extension	13 ^{1/32} inch	13 ^{5/16} inch
Shelving 23 ^{5/8} inch - Column	26 ^{3/16} inch	26 ^{47/64} inch
Shelving 23 ^{5/8} inch - Extension	24 ^{27/32} inch	25 ^{1/8} inch
Shelving 35 ^{7/16} inch - Column	37 ^{63/64} inch	38 ^{35/64} inch
Shelving 35 ^{7/16} inch - Extension	36 ^{21/32} inch	36 ^{59/64} inch
Shelving 47 ^{1/4} inch - Column	49 ^{51/64} inch	50 ^{23/64} inch
Shelving 47 ^{1/4} inch - Extension	48 ^{15/32} inch	48 ^{47/64} inch
Shelving 59 ^{1/16} inch - Column	61 ^{39/64} inch	62 ^{11/64} inch
Shelving 59 ^{1/16} inch - Extension	60 ^{9/32} inch	60 ^{35/64} inch
Shelving 70 ^{55/64} inch - Column	73 ^{27/64} inch	-
Shelving 70 ^{55/64} inch - Extension	72 ^{3/32} inch	-



» UBeFlex® storage system



» Stationary posts

Article Number	Description	Depth	Height
16010 00091	ISO and DIN D-type	23 ^{5/8} inch	80 ^{5/16} inch
16010 00037	ISO W-type	15 ^{3/4} inch	80 ^{5/16} inch
16010 00066	Wall mounting (screw included)		
16010 00095	Floor mounting - stainless steel (including screws)		



» Posts with castors*

Article Number	Description	Depth	Height incl. castors
16010 00038	ISO and DIN D-type	23 ^{5/8} inch	77 ^{11/64} inch
16010 00039	ISO W-type	15 ^{3/4} inch	77 ^{11/64} inch

* Only for limited displacement in function of floor cleaning.

For open/closed internal and external transport, check www.belintra.com for the different solutions.



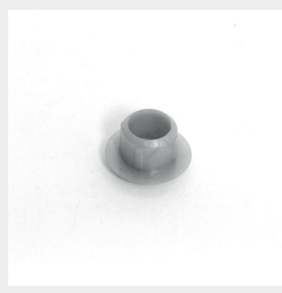
» Connection sets

Article Number	Description	Width
16010 00040	ISO D-type	15 ^{3/4} inch
16010 00041	ISO W-type	23 ^{5/8} inch
16010 00042	DIN D-type**	11 ^{13/16} inch
16010 00097	XS D-type	11 ^{1/32} inch



» Roof or bottom panel for columns with runners

Article Number	Description	Ext. Dimensions
16010 00030	ISO D-type	15 ^{3/4} x 23 ^{5/8} inch
16010 00031	ISO W-type	23 ^{5/8} x 15 ^{3/4} inch
16010 00065	DIN D-type	11 ^{13/16} x 23 ^{5/8} inch



» Cap for unused positions

Article Number	Description
99010 00020	100 pieces/bag

** For use in combination with D-type posts and DIN D-type runners. Filling with Sterisystem® Perfo-Safe® wire shelves and wire baskets DIN (11^{13/16} x 23^{5/8} inch).

» UBeFlex® storage system



» "Click"-runners (1 pair - left and right)

Article Number	Description	Type of runner	Length
16010 00011	ISO D-type	U+L runner	23 ^{5/8} inch
16010 00012	ISO W-type	U+L runner	15 ^{3/4} inch



» DIN D-type runners (1 pair - left and right)

Article Number	Description	Type of runner	Length
16010 00068	DIN D-type	L runner	23 ^{5/8} inch



» Oblique runners*

Article Number	Description	Fixation
14005 00005	ISO D-type oblique	Turn-pin
14005 00006	ISO W-type oblique	Turn-pin

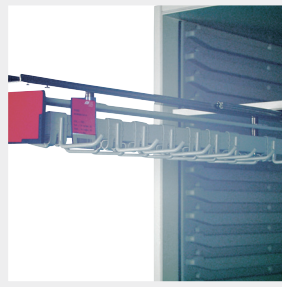
* Upon request



» Catheter basket (without dividers)

Article Number	Description
16002 00020	ISO D-type - Equipped with telescopic runners and frame

» UBeFlex® storage system



» Catheter holder with adjustable hooks on melamine plate*

Article Number	Type	Description	Ext. Dimensions
1867580	ISO W-type	1 telescopic runner with 14 (2 x 7) hooks	23 ^{5/8} x 15 ^{3/4} inch
1867581	ISO W-type	2 telescopic runners with 14 (2 x 7) hooks	23 ^{5/8} x 15 ^{3/4} inch
1867582	ISO W-type	3 telescopic runners with 14 (2 x 7) hooks	23 ^{5/8} x 15 ^{3/4} inch
1867583	ISO D-type	1 telescopic runner with 20 (2 x 10) hooks	23 ^{5/8} x 15 ^{3/4} inch
1867584	ISO D-type	2 telescopic runners with 20 (2 x 10) hooks	23 ^{5/8} x 15 ^{3/4} inch

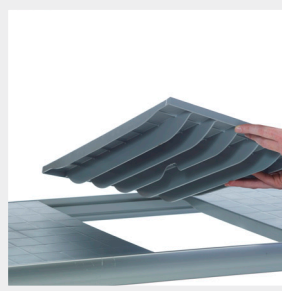
* Catheter holder only to be used in stationary racks.



» Catheter holder with fixed hooks on melamine plate*

Article Number	Type	Description	Ext. Dimensions
1867590	ISO W-type	1 telescopic runner with 14 (2 x 7) hooks	23 ^{5/8} x 15 ^{3/4} inch
1867591	ISO W-type	2 telescopic runners with 14 (2 x 7) hooks	23 ^{5/8} x 15 ^{3/4} inch
1867592	ISO W-type	3 telescopic runners with 14 (2 x 7) hooks	23 ^{5/8} x 15 ^{3/4} inch
1867593	ISO D-type	1 telescopic runner with 20 (2 x 10) hooks	23 ^{5/8} x 15 ^{3/4} inch
1867594	ISO D-type	2 telescopic runners with 20 (2 x 10) hooks	23 ^{5/8} x 15 ^{3/4} inch

* Catheter holder only to be used in stationary racks.



» UBeFlex® D-type set for full synthetic shelves

Article Number	Width	Depth	Description
16010 00043	11 ^{13/16} inch (1 x 11 ^{13/16} inch)	23 ^{5/8} inch	Including shelves, profiles, hooks and caps
16010 00044	23 ^{5/8} inch (2 x 11 ^{13/16} inch)	23 ^{5/8} inch	
16010 00048	70 ^{55/64*} inch (6 x 11 ^{13/16} inch)	23 ^{5/8} inch	

* The 70^{55/64} inch shelves cannot be used in the mobile version.



» UBeFlex® W-type set for full synthetic shelves

Article Number	Width	Depth	Description
16010 00049	11 ^{13/16} inch (1 x 11 ^{13/16} inch)	15 ^{3/4} inch	Including shelves, profiles, hooks and caps
16010 00050	23 ^{5/8} inch (2 x 11 ^{13/16} inch)	15 ^{3/4} inch	
16010 00051	35 ^{7/16} inch (3 x 11 ^{13/16} inch)	15 ^{3/4} inch	
16010 00052	47 ^{1/4} inch (4 x 11 ^{13/16} inch)	15 ^{3/4} inch	
16010 00053	59 ^{1/16} inch (5 x 11 ^{13/16} inch)	15 ^{3/4} inch	
16010 00054	70 ^{55/64*} inch (6 x 11 ^{13/16} inch)	15 ^{3/4} inch	

* The 70^{55/64} inch shelves cannot be used in the mobile version.

» UBeFlex® storage system



» UBeFlex® set of profiles for shelves

Article number	Description
16010 00085	Set of profiles for shelf 11 ^{13/16} inch *
16010 00086	Set of profiles for shelf 23 ^{5/8} inch *
16010 00087	Set of profiles for shelf 35 ^{7/16} inch *
16010 00088	Set of profiles for shelf 47 ^{1/4} inch *
16010 00089	Set of profiles for shelf 59 ^{1/16} inch *
16010 00090	Set of profiles for shelf 70 ^{55/64} inch *

Including hooks and caps, can also be used as a closing profile.



» UBeFlex® shelves - excluding profiles

Article Number	Description	Ext. Dimensions
16010 00008	D-type full synthetic shelf	11 ^{13/16} inch W x 23 ^{5/8} inch D
16010 00009	W-type full synthetic shelf	11 ^{13/16} inch W x 15 ^{3/4} inch D
16010 00071	D-type open shelf in chromed steel	11 ^{13/16} inch W x 23 ^{5/8} inch D



» UBeFlex® D-type divider in chromed steel

Article Number
16010 00069



» Label holder for shelves - landscape

Article Number	Description	Ext. Dimensions
16010 00015	Label holder	-
15008 00021	Insert	2 ^{23/64} x 1 ^{37/64} inch



» Stepless label holder for adhesive labels for posts - portrait

Article Number	Description
16010 00121	Stepless label holder

» UBeFlex® storage system



» OptiScanBan® label holder for UBeFlex®/UBeTrack™ shelves

Article Number	Description
16010 00123	OptiScanBan® label holder



» Coloured PVC strips for posts

Article Number	Colour	Description	Length
16010 00076	Red	Conditioned per 10	79 ^{9/16} inch
16010 00077	Orange	Conditioned per 10	79 ^{9/16} inch
16010 00078	Blue	Conditioned per 10	79 ^{9/16} inch
16010 00079	Green	Conditioned per 10	79 ^{9/16} inch



» Telescopic runners with extension slide for containers* (MOQ: 100 pcs)

Article Number	Description	Max. weight	Ext. Dimensions
16002 00014	DIN D-type	33 lbs	11 ^{13/16} x 23 ^{5/8} inch
16010 00066	Wall fixation for posts		

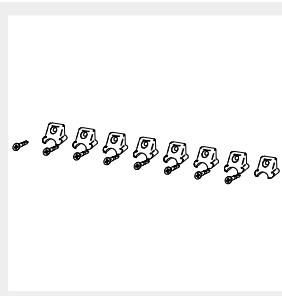
* Only to be used when wall fixation is planned. To be mounted up to a maximum height of 39^{3/8} inch.



» Telescopic runners with extension slide for baskets*

Article Number	Description	Max. weight	Ext. Dimensions
16002 00008	ISO W-type	33 lbs	23 ^{5/8} x 15 ^{3/4} inch
16002 00012	ISO D-type	33 lbs	15 ^{3/4} x 23 ^{5/8} inch
16010 00066	Wall fixation for posts		

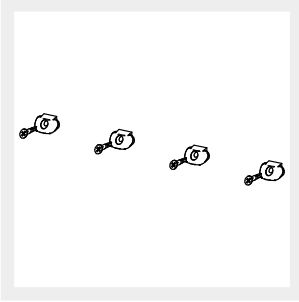
* Only to be used when wall fixation is planned. To be mounted up to a maximum height of 39^{3/8} inch.



» Spacer lockers

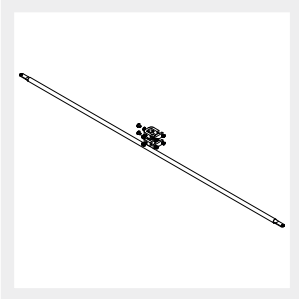
Article Number	Description
16010 00124	Included with the mobile posts, for the stationary posts to be ordered separately if required

» UBeFlex® storage system



» Spacer lockers in combination with roof/bottom panels

Article Number	Description
16010 00125	Included with the roof/bottom panels



» Back reinforcement kit

Article Number	Description
16010 00104	Required for certain configurations